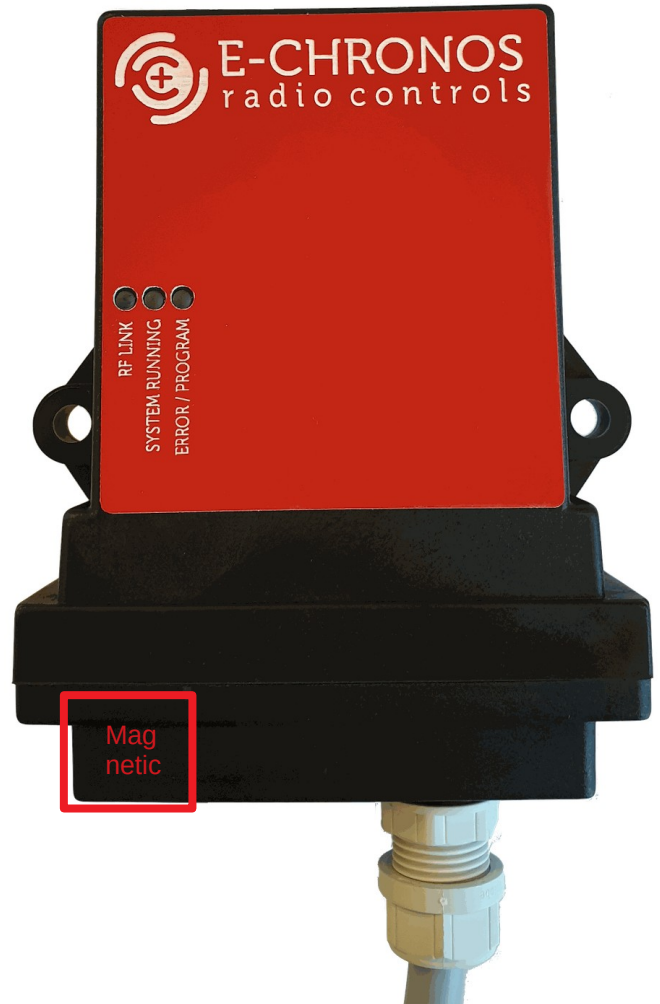
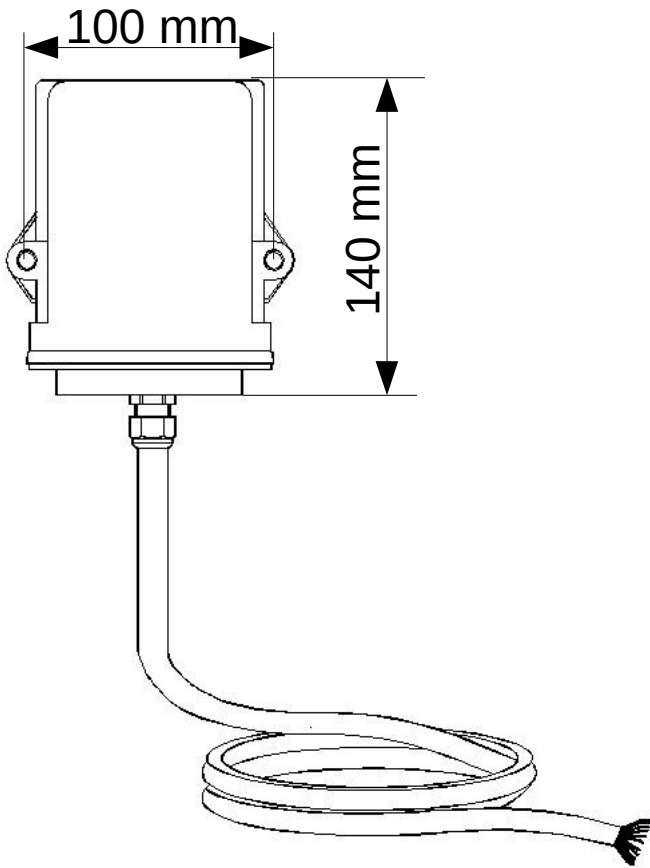


Version : -	MAX.YYYY	 E-CHRONOS radio controls	Dessiné par : FAR.Y
	Customer		Le 06.09.2018
Format : A4			E-Chronos



Basic functionality :

Functionality	Normal Condition	Comments
Supply	12-24 VDC	±50 %
1x Main contact	12-24 VDC @ 6A	Free potential
1x Relay	250VAC @ 8A	-20 to +70°C
16x Digitals outputs	12-24 VDC, 2.5A @ 70°C	Transit. protected
1x PWM	12-24 VDC, 3A @ 70°C	Transit. protected
1x Magnetic sensor	digital	Learn function
1x jumper	No 120 Ohm CAN termination	120Ohm CAN termination

Other informations :

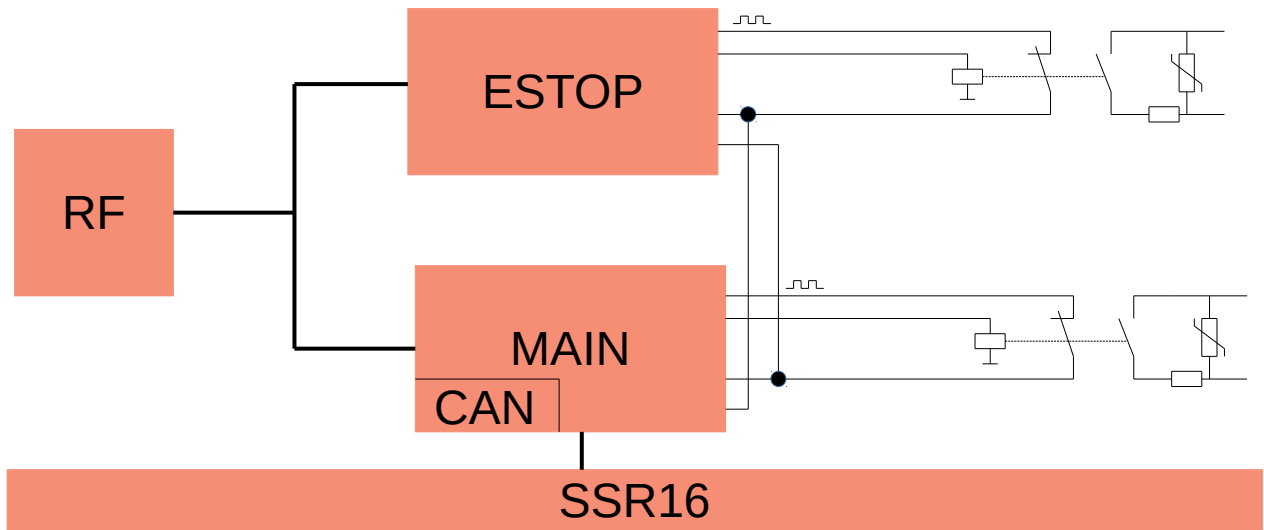
According to the MU, Category 3 PL d can be reached on the safety relay output. On the wiring, both outputs needs to be monitored.

- Operating temperature : -20°C to +70°C
- Typical range : 500 m
- Passive Estop : < 500ms
- Active Estop : < 100ms
- Frequency : 863 – 870 MHz (20 Channels9
- Transmitting Power : 25mW ERP
- Adaptive Frequency Agility (Automatic Channel Management)

LED description :

Name	Color	ON	OFF	Blink 1x	Blink
RF Link	Green	System Ready	ERROR	-	RF link OK
System running	Yellow	ERROR	ERROR	ERROR	Normal
Error Program	RED	ERROR / PROG	OK	ERROR	ERROR

Block diagram CATEGORY 3 CAN :



Block diagram CATEGORY 1 no CAN :

